

# Technologies for Cryopreservation: Overview and Innovation

Edoardo Lopez, Katuscia Cipri and Vincenzo Naso  
*"Sapienza" University of Rome, Rome  
Italy*

## 1. Introduction

The proposed chapter investigates methods, devices and technologies for cryopreservation, explaining the most used cooling processes, as well as conventional and innovative technologies adopted. Main processes used for cryopreservation of oocytes, embryos and sperms can be reassumed in three categories:

1. slow freezing
2. vitrification
3. ultra-rapid freezing

Research is not intended to be exhaustive, but is aimed at covering most of relevant topics.

Slow freezing involves step-wise programmed decrease in temperature. The procedure is lengthy and requires the use of expensive instrumentation. The process does not exclude ice crystal formation, which can have extremely deleterious effects (Pegg, 2005).

In the vitrification process, the use of CryoProtectant Agents and the increasing of cooling rate (from 2,500 °/min to 130,000 °/min) avoid the ice crystal formation, increasing the embryos and oocytes survival. Unfortunately, common cryoprotectants are toxic and the immersion of solution directly in liquid nitrogen can be cause of contamination of embryos and oocytes with bacterium, mushroom and virus.

Ultra-rapid freezing can be considered a midway technique between slow freezing and vitrification, but its application has demonstrated lower performances than the other two processes.

## 2. Slow freezing

Necessary condition for slow freezing is freezing cells with a cooling rate equal or lower than 1°/min, before storing them at -130° or lower (De Santis & Coticchio, 2011). If cell is cooled down very slowly, it will be exposed to growing concentrations of cellular solutes due to ice formation inside the solution, with a PH variation and cellular dehydration. If it is cooled down too fast, crystal nucleuses will form in the solution and inside the cell, with the destruction of cell membrane. Usually at temperature below -60°, the samples can be immersed directly in liquid nitrogen or transferred to freezer of maintenance without further loss of viability. Slow freezing generally lasts one or two hours. However, a greater amount of cells can be frozen at a time (Ha et al., 2005), and lower quantity of CPA are used than in vitrification.

## 2.1 Programmable freezers

Currently, programmable freezers are the most common technology for slow freezing process. Programmable freezers are based on liquid nitrogen technology, but their use is denied in areas without availability of nitrogen or during long transport. Cooling rate is controlled by a heater (Asymptote EF600, Cryologic CL8800) or by the synchronous use of two valves.

Main characteristics of the most common programmable freezers are shown in Tab. 1.<sup>1</sup>

	Kryo 360	Kryo 560M	Cryo-Logic 8800 + Fast CryoChamber	Thermo Scientific Forma 94741
Producer	Planer plc	Planer plc	CryoLogic	Fisher Scientific
Control range [°]	+40 to -180	+30 to -180	+40 to -120	+50 to -180
Cooling rates [°/min]	-0.01 to -50	-0.01 to -50	-0.04 to -10 (at -40aC)	-0.1 to -50
Heating rates [°/min]	0.01 to 10	0.01 to 10	—	0.1 to 10
Capacity [l]	1.7 or 3.3	16	11.5	17 or 48

Table 1. Programmable freezers main characteristics

## 2.2 Stirling engine cryocooler

The **Asymptote EF600** is the first commercially available programmable freezer which does not require liquid-nitrogen. The absence of liquid-nitrogen reduces drastically risk of contamination, and allows to freeze cells where nitrogen is not available (i.e. during transport or in other borderline applications).



Fig. 1. Asymptote EF600 (<http://www.asymptote.co.uk/>)

<sup>1</sup> Research is not intended to be exhaustive

The Asymptote EF600's cooling source is a Stirling Engine, a closed cycle machine in which the refrigerant working fluid is contained inside the machine, and only a source of mechanical or electrical energy is required<sup>2</sup> in order to reach temperature below  $-100^{\circ}$ .

Studies on human spermatozoa (linear cooling at  $-2^{\circ}/\text{min}$  until nucleation followed by linear cooling at  $-10^{\circ}/\text{min}$  to  $-100^{\circ}$ ), embryonic stem cells (linear cooling at  $-2^{\circ}/\text{min}$  until nucleation followed by linear cooling at  $-1^{\circ}/\text{min}$  to  $-45^{\circ}$ ) mouse embryos (linear cooling at  $-2^{\circ}/\text{min}$  until nucleation followed by linear cooling at  $-0.3^{\circ}/\text{min}$  to  $-35^{\circ}$  and at  $-10^{\circ}/\text{min}$  to  $-100^{\circ}$ ) and horse semen (linear cooling at  $-2^{\circ}/\text{min}$  until nucleation followed by linear cooling at  $-4^{\circ}/\text{min}$  to  $-80^{\circ}$ ) were carried on, considering survival rate as a parameter for assessing the performances of the proposed system (Faszer et al., 2006; Morris et al., 2006).

Results show that Stirling Engine cryocooler can establish the desired time-temperature profile inside the test tubes and the viability after thawing data confirm that the system can be used for slow freezing applications.

However, Stirling Engines are affected by vibrations, as stated by (Hughes et al., 2000) and (Suárez et al., 2003). Vibrations might damage cells; furthermore, manual nucleation cannot be performed at a desired temperature, since vibrations generally start the nucleation process (as reported by (De Santis et al., 2007; Edgar, 2009; Rosendahl et al., 2011)).

### 2.3 Pulse tube cryocooler

In order to overcome the problems connected with vibrations of Stirling Engines, a programmable freezer based on a Pulse Tube cryocooler is being developed in "Sapienza" University of Rome Laboratory of Mechanical Engineering, in collaboration with *MES - Microconsulting Energia & Software S.c.a.r.l.*<sup>3</sup> and *LABOR S.r.l.*<sup>4</sup>. Alike the Stirling Engine, the Pulse Tube machine is a closed cycle system and it does not require liquid-nitrogen. The Pulse Tube cryocooler is able to reach temperatures below  $-150^{\circ}$  making the refrigerator fluid (that is generally helium or nitrogen) move oscillatory. The fluid motion is obtained using a compressor and a rotative valve. The Pulse Tube offers low vibrations, as discussed by (Ikushima et al., 2008; Riabzev et al., 2009; Suzuki et al., 2006; Wang & Hartnett, 2010).

Next to the *cold head* (the cooling part of the Pulse Tube), the refrigerator fluid absorbs heat from the test tube, cooling it. The Pulse Tube cryocooler is characterized by a higher cooling rate than the ideal one for cell freezing ( $0.1^{\circ}/\text{min} \div 10^{\circ}/\text{min}$ ) in the temperature range used for cryopreservation ( $+30^{\circ} \div -60^{\circ}$ ). The cooling rate is reduced in the proposed solution through a control system that can supply heat to the cryorefrigerator.

A heater is placed by the test tube holder (Fig. 2). The power dissipated through the heater for Joule effect varies according to two different control systems proposed:

1. **On-Off regulation.** A threshold control system has been implemented: the heater is activated when the real temperature is more than  $1^{\circ}$  below the desired temperature, and it is turned off when the real temperature is more than  $1^{\circ}$  over the desired temperature. Using this control system, oscillations of  $\pm 6^{\circ}$  around the desired temperature were obtained, as it is illustrated in Fig. 3 and Fig. 4.

<sup>2</sup> The Asymptote EF600 can be connected to a conventional 240V electricity supply or to a car battery

<sup>3</sup> Via A. Panzini, 3 - 00137 Roma, Italy

<sup>4</sup> Tecnopolo Tiburtino, Via G. Peroni 386 - 00131 Roma, Italy

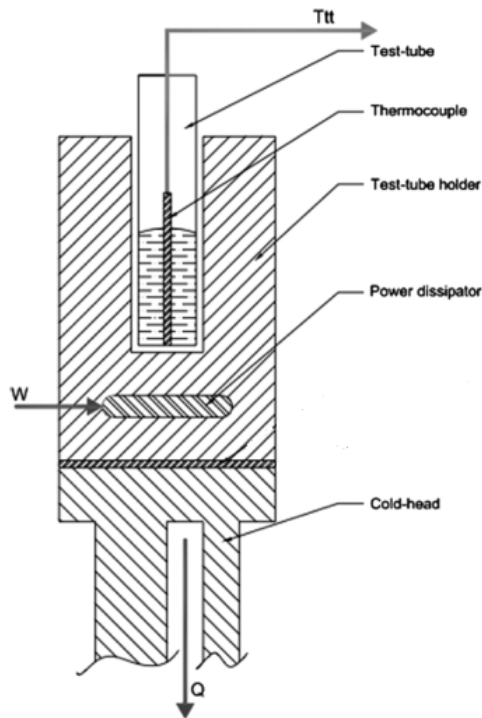


Fig. 2. Representation of the experimental apparatus.  $T_{tt}$  represents the temperature inside the test tube, measured by a thermocouple,  $Q$  is the heat absorbed by the refrigerating fluid and  $W$  is the dissipated power.

However, the oscillation might be reduced optimizing the threshold parameters. The *On-Off* regulation can be easily implemented, and it does not require the regulation of the power dissipated through Joule effect.

2. **Predictive model regulation:** the cooling slow-down is achieved by providing an amount of heat, variable with the time, that will be able to raise the temperature of the PT cold head to the desired value (Cipri et al., 2010). The amount of heat is calculated using a predictive and adaptive model. Using this regulation modality, oscillation can be removed. However, it requires the regulation of the power dissipated through Joule effects, increasing the cost of the hardware. Moreover, more computational power is required in order to calculate the amount of heat which has to be dissipated.<sup>5</sup>

Results are shown in Fig. 5 and Fig. 6.

In the determination of the *Predictive model* a lot of simplifying assumptions were made (Cipri et al., 2010), and we believed that the system should have better results if the model was set in more accurate way. Further researches are fostering investigation at Sapienza Laboratory.

At this very moment, the system is not yet commercially viable.

<sup>5</sup> An *On-Off* regulation is still used before the transition phase, marked by the abrupt rise of temperature typical of the subcooling

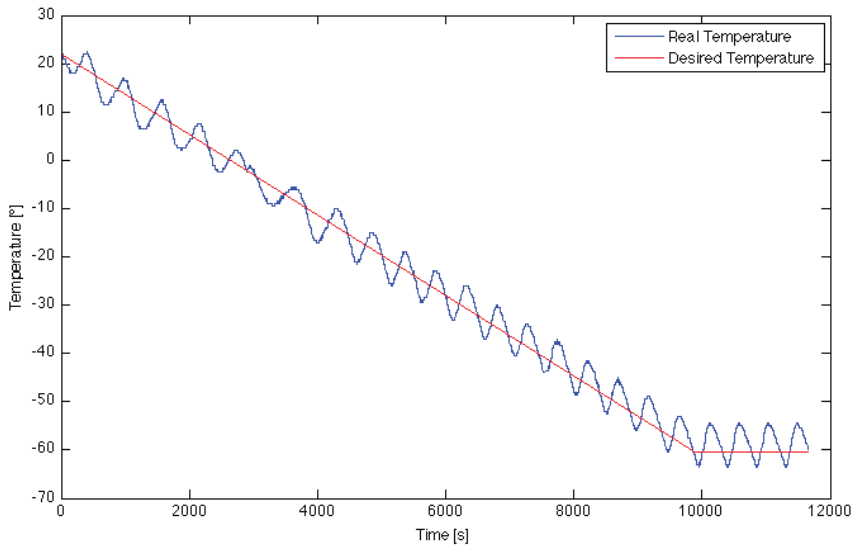


Fig. 3. *On-Off* regulation - Temperature inside the test tube vs time. A desired cooling rate of  $-0.5^{\circ}/\text{min}$  was selected.

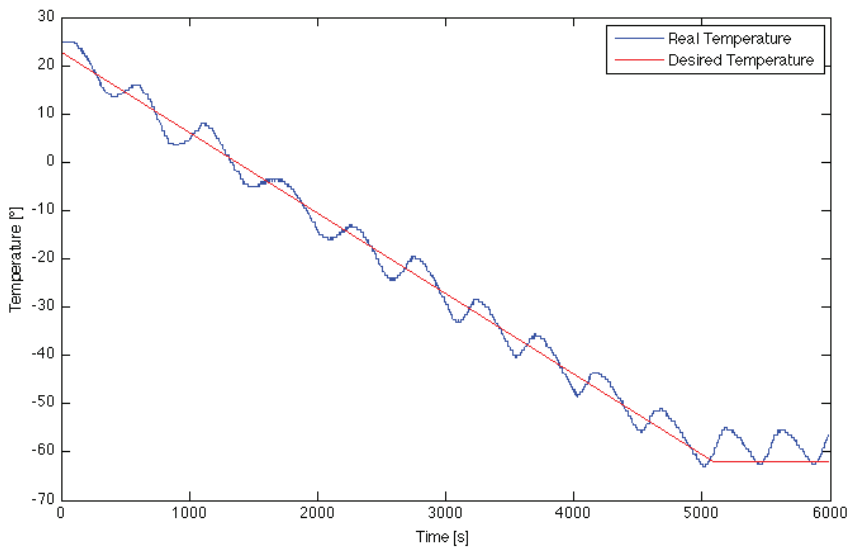


Fig. 4. *On-Off* regulation - Temperature inside the test tube vs time. A desired cooling rate of  $-1^{\circ}/\text{min}$  was selected.

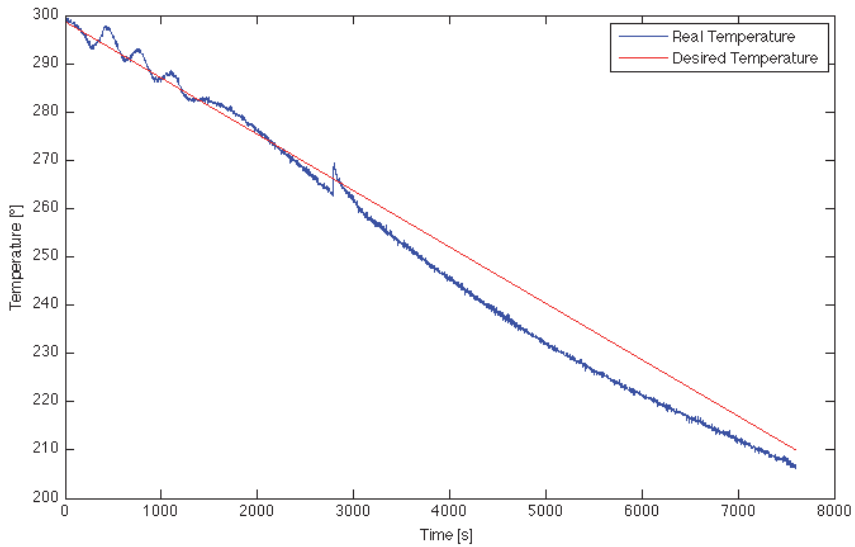


Fig. 5. *Predictive model* regulation - Temperature inside the test tube vs time. A desired cooling rate of  $-0.7^{\circ}/\text{min}$  was selected.

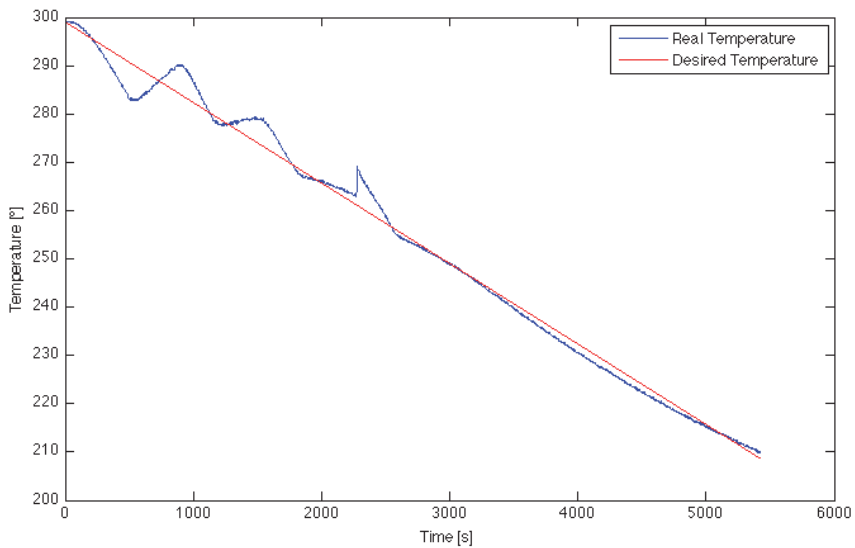


Fig. 6. *Predictive model* regulation - Temperature inside the test tube vs time. A desired cooling rate of  $-1^{\circ}/\text{min}$  was selected.

### 3. Vitrification

A criticality of common cryopreservation methods consists in the formation of ice crystals that drastically reduces the survival of treated embryos and oocytes. Vitrification process produces a glasslike solidification of living cells which completely avoids ice crystal formation. The process is based on the principle that water, characterized by high cellular viscosity increased by the adding of CryoProtectant Agent (CPA), and frozen using a high cooling rate, is not capable of forming ice. The main limits of Vitrification process are represented by: use of potentially toxic cryoprotectant; risk of contamination of embryos and oocytes with bacterium, mushroom and virus when directly immersed in liquid nitrogen or during the storage phase. Studies have demonstrated that reduced quantity of CPA can be used if the cooling rate is increased.

A freezing rate of  $2,500^{\circ}/\text{min}$  and CPA concentration of 5-7 M is reached with the immersion of embryos and oocytes in micro-capillary straws, while in the pulled straws the cooling rate is about  $20,000^{\circ}/\text{min}$  (Kuleshova & Lopata, 2002). Theoretically, the reaching of a cooling rate of  $10^7^{\circ}/\text{sec}$  should allow to vitrify also in pure water, but this rating is not practicable at the moment. Several studies are also oriented to formulate nontoxic and more efficient Vitrification solutions, also combining different cryoprotectants such as sugars and polymers or establishing modern solutions that include non-penetrating additives.

Moreover, the implementation of *Minimum Volume methods* has allowed to reduce the concentration of cryoprotectant. EG (ethylene glycol), characterized by low toxicity, is an important component of vitrification solution, commonly combined with DMSO or PROH (propanediol). In particular, non-permeable cryoprotectants (such sucrose or PVP) can be added in the solution in order to reduce the concentration of permeable cryoprotectants and facilitate dehydration and vitrification. Researches oriented to improve the characteristics of cryoprotectants have been carrying on in order to reduce toxicity. An EG and sucrose (non-permeable cryoprotectants) solution has been tested for cryopreservation of all preimplantation stages of *in vivo* generated mouse and day-6 sheep embryos. Experiments have not shown a loss of viability *in vitro* or *in vivo*. The same solution has been proved for vitrification of human oocytes, attaining high survival rates using conventional straws.

Another solution used to reduce toxicity is to equilibrate the cryoprotectant using a two-step method: the pretreatment solution, named *equilibration solution*, contains 20-50% concentrations of permeating cryoprotectants. The lower concentration of permeating cryoprotectants in the equilibration solution is much less toxic than the vitrification solution. The permeating cryoprotectant enters into the cells and facilitates the intracellular vitrification. The cells pretreatment with equilibration solution is used in oocytes vitrification: this method has been demonstrated to increase the survival rate after thawing.

Main devices, commonly use in vitrification, are *Open Supports: Pulled Straws, CryoLoop, CryoEM, Cryoleaf* and *CryoTop*. The risk of contamination, due to the use of *Open Supports* for vitrification, limits the use of this process for human cells and tissues, according to the European regulations. In order to reduce contamination risks, *Close Supports* have been introduced: unfortunately their use decreases the cooling rate with consequently need to improve the quantity of CPA for guaranteeing the same survival rate. Vitrification process has demonstrated high performance in term of survival after thawing, comparable to slow cooling and it has become a promising alternative in cryopreservation of mammalian embryos and especially oocytes, through application of slow-rate freezing process.

### 3.1 Open supports

#### 3.1.1 Open Pulled Straw (OPS)

Open Pulled Straw (OPS) have been designed to guarantee a ultra rapid freezing without ice crystals formation. The system, ideated by G. Vajta in 1998, is based on the hypothesis that decreasing the standard straw diameter, the volume of solution to vitrify is reduced too, raising the cooling rate. This method is so characterized by a very high cooling and warming rates (over 20,000° /min) and a short contact with concentrated cryoprotective additives (less than 30 sec over -180°). This approach reduces the possibility of chilling injury and toxic and osmotic damage. Several OPS have been developed reducing the diameter of standard straws of a half, increasing the cooling rate by 10 times and reducing by 30% the concentration of CPA and the time of exposition. Common OPS are standard 0.25 mL straws with one extremity pulled and thinned by heating. This solution increases the superficies/volume rate and hastens the cooling rate of the 2  $\mu$ L drop set to contain the embryo. The Open Pulled Straw produced by MTG are made of PVC: with a length of 93 mm, straws can have an inner tip diameter approximately of 0.65 mm for Standard OPS and of 0.3 mm for super fine OPS. Before plunging the thin straw into liquid nitrogen, embryos are treated with highly concentrated cryoprotectant (CPA) solutions of ethylene glycol (EG) and dimethyl-sulfoxide (DMSO), in variable percentage.

#### 3.1.2 Cryoloop

Cryoloop is generally applied to investigate the contribution given by cortical areas to network interactions and cerebral functions.

The Cryoloop is manufactured from straight 23 gauge hypodermic stainless steel tubing, having external and internal diameters respectively of 0.635 mm and 0.33 mm. Methanol, drawn from a external reservoir, is pumped in a Teflon tube directly in the Cryoloop that is in contact with the brain. Before reaching the Cryoloop, tubes containing Methanol are coiled and immersed in a bath of methanol and dry-ice pellets. The mixture cools the flowing methanol at a temperature of -75°. A microthemocouple, connected to a digital thermometer allows to monitor the temperature of the Cryoloop.

The use of Cryoloop device in human oocytes vitrification is under investigation. Experiments are now focused on animal oocytes and blastocytes cryopreservation. Cryoloops used for vitrification consist of a nylon loop of 10 or 20 micron diameters mounted on a stainless steel pipe inserted into the lid of a cryovial (Fig. 7). One of the main producers is the Hampton Research Corporation.

For vitrification, blastocytes are placed on a cryoloop that has been coated with a thin film of cryoprotectant solution. Blastocytes on the cryoloop are placed into the cryovial, which is submerged and filled with liquid nitrogen and the vial is sealed. Studies demonstrate that both mouse and human blastocystes can be successfully vitrified by suspension on a nylon loop and immersing directly into nitrogen. Mouse oocytes cryopreservation has provided successful results, but this method has not been applied to human oocytes. Tests on rabbit oocytes showed a good survival rate approximately of 80% for four different protocols.

#### 3.1.3 Cryo-electron microscopic (CryoEM)

The Cryo-electron microscopic technique involves freezing biological samples in order to view the samples with the lowest distortion and the fewest possible artifacts.



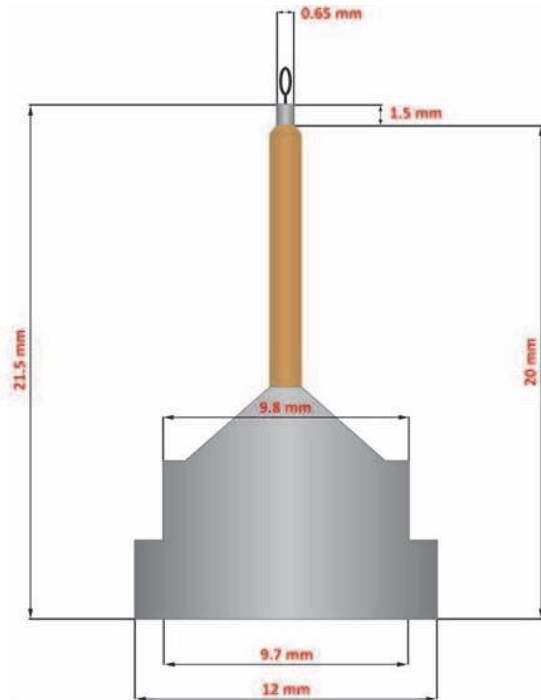


Fig. 7. CryoLoop Properly Installed in a CrystalCap Copper Magnetic - *Hampton Research Corporation*

Biological material is spread on an electron microscopy grid and is preserved in a frozen-hydrated state by rapid freezing (about  $3,000^{\circ}/\text{min}$ ), usually in ethane slush close to liquid nitrogen temperature. Specimens, maintained at liquid nitrogen temperature or colder, are contained into the high-vacuum of the electron microscope column. The frozen sample grid is then kept at liquid nitrogen temperature in the electron microscope and digital micrographs are collected with a camera. Images obtained from the cryo-electron microscopy are usually very noisy and have very low contrast. It is necessary to smooth the noise as well as enhance the contrast.

### 3.1.4 Cryoleaf

Cryoleaf is an open device for embryos and oocytes vitrification and storage (Fig. 8). Developed by Dr. Chian and Prof. Tan at McGill University, Montreal, the system uses PROH, EG and sucrose as cryo-protectants in the cooling phase, while in the warming procedure media contains sucrose. The recommended maximum load of the McGill Cryoleaf is 2-3 oocytes or embryos.

Oocytes or embryos are prepared for vitrification according to laboratory protocols. The outer cover of the McGill Cryoleaf is plunged into the liquid nitrogen bath, allowing the air to come out. Vitrified oocytes or embryos are quickly loaded into the McGill Cryoleaf using a suitable pipette. The excess of media, that must be less than  $1 \mu\text{l}$ , has to be removed. The McGill



Fig. 8. McGill Cryoleaf Open System for Vitrification

Cryoleaf is inserted, with oocytes or embryos, directly into liquid nitrogen. Then, the Cryoleaf is blocked, sliding the protective sleeve over the tip.

### 3.1.5 Cryotop

Cryotop method, developed by Kuwayama in the Advanced Medical Research Institute of Kato Ladies Clinic, is based on the assumption that minimizing the volume<sup>6</sup> of the vitrification solution, increases both cooling and warming rates, also decreasing the chance of ice crystal nucleation/formation. Moreover the high-rate cooling decreases CPA concentration, also reducing chilling injury occurring between +15° (in human GV oocytes even +25°) and -5°, which can be minimized by passing embryos or oocytes rapidly through this temperature zone. Finally, studies have demonstrated that the use of small devices eliminates embryo fracture damages, especially in open systems.

The Cryotop tool consists of a narrow, thin film strip (0.4 mm wide, 20 mm long 0.1 mm thick) attached to a hard plastic handle for a minimum volume cooling. To protect oocytes and embryo on strip from mechanical damage and virus contamination during storage, a 3 cm long plastic tube cap is attached to cover the film part (Fig. 9).

The tool and the solutions for Vitrification and warming are market by Kitazato Co., Fujinomiya, Japan.

After a two-step equilibration in a vitrification solution containing EG, DMSO and sucrose, oocytes and embryo are loaded with a narrow glass capillary onto the top of the film strip in a volume of <0.1 ml. After loading, almost all the solution is removed so as to leave only a thin layer covering the oocytes or embryos, and the sample is quickly immersed into liquid nitrogen. Subsequently, the plastic cap is pulled over the film part of the Cryotop, and the sample is stored under liquid nitrogen (Kuwayama, 2007).

The minimal volume increases the cooling and warming rates up to 40,000° /min, contributing positively to the embryos or oocytes survival.

Cryotop vitrification method is applied successfully in various areas of animal technology and now it is indicated as the process which guarantees the highest number of babies born

<sup>6</sup> According to common use, for Minimum Volume is intended less than 1 ml for direct dropping of samples into liquid nitrogen or the open pulled straw (OPS) method.



Fig. 9. Kitazato Cryotop - Kitazato Industries

after vitrification of human embryos and after cryopreservation of human oocytes worldwide. Clinical results are shown in Tab. 2

Reference	Cell	n	% Survival	% Pregnancy
Teramoto 2004	Blastocysts	197	100	57.7
Kuwayama 2005	Oocytes	64	91	41.3
Kuwayama 2005	PN Embryos D14	5881	100	-
Kuwayama 2005	Embryos D3	897	98	27
Kuwayama 2005	Blastocysts	6328	90	53
Lucena 2006	Oocytes	159	97	56.5
Antinori 2007	Oocytes	330	91	32.5
Cobo 2008	Oocytes	243	97	65.2
Cobo 2008	Oocytes	797	96	63.2

Table 2. Results achieved with Cryotop vitrification in human

### 3.1.6 Direct Cover Vitrification - DCV

The Direct Cover Vitrification - DCV is a new cooling method based on the minimum use of concentrated cryoprotectants and direct application of liquid nitrogen to the ovarian tissue. This way, the toxicity derived by cryoprotectants is reduced and the ice crystal injury is prevented. The ovary is immersed in a vitrification solution (0.8 ml) consisting of 15% EG, 15% DMSO and 0.5 M sucrose for 2 min.

The ovary is put in a 1.8-ml plastic standard cryovial, placed on a piece of gauze to remove the surrounding vitrification medium. Liquid nitrogen is directly applied onto the ovary for vitrification. The cap of the cryovial is closed. The lid does not have a hole. The vial is then placed into a liquid nitrogen tank.

DCV cryopreservation method, explored on mouse ovarian, has demonstrated to be highly efficient at increasing morphologically normal and viable follicles from cryopreserved ovarian tissue, compared with slow freezing and conventional vitrification.

### 3.1.7 Solid Surface Vitrification - SSV

The Solid Surface Vitrification - SSV has been developed at the Department of Animal Science, University of Connecticut. The method aims at defining an effective protocol to cryopreserve

bovine oocytes for research and practice of parthenogenetic activation, in vitro fertilization and nuclear transfer.

Bovine oocytes matured in vitro are transferred to a vitrification solution (35% EG, 5% polyvinyl-pyrrolidone, 0.4 M trehalose in TCM 199 and 20% FBS). A metal cube covered with aluminum foil is partially submerged into liquid nitrogen (Fig. 10): the surface reaches the temperature of  $-150^{\circ}$ . Microdrops of vitrification solution, containing the oocytes, are dropped onto the cold upper surface of the metal cube and are instantaneously vitrified. The vitrified microdrops are then stored in liquid nitrogen (Dinnyés et al., 2000).

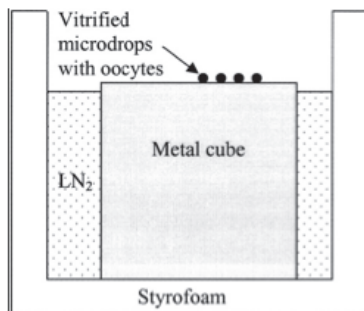


Fig. 10. The solid surface vitrification (SSV) device

### 3.2 Closed supports

#### 3.2.1 Cryotip

CryoTip consists of a plastic straw with a thin part ( $250\ \mu\text{m}$  inner diameter,  $20\ \mu\text{m}$  wall thickness and 3 cm length) connected to a thick part ( $2000\ \mu\text{m}$  inner diameter and  $150\ \mu\text{m}$  wall thickness, 4.5 cm length) and equipped with a movable protective metal sleeve (Fig. 11) (Kuwayama, Vajta, Ieda & Kato, 2005).



Fig. 11. The CryoTip is a finely pulled straw designed for holding gametes or embryos

Embryos are loaded in approximately  $1\ \mu\text{l}$  solution into the narrow part of the CryoTips without any air bubbles by aspiration of medium. Subsequently, the straw is heat-sealed at both ends, the protective sleeve is pulled over the narrow part and the device is plunged into liquid nitrogen. The time required for loading, sealing, adjustment of the sleeve and plunging does not exceed 90 s. The use of the closed CryoTip system eliminates potential embryo's contamination during cryopreservation and storage without compromising survival and developmental rates in vitro and in vivo (Kuwayama, Vajta, Ieda & Kato, 2005).

### 3.2.2 Isachenko Method

In the *Isachenko Method* (Isachenko et al., 2005), embryos are located inside a open-pulled straws (OPS). The OPS is placed inside a sterile insemination straw (indicative size 90-mm), manufactured from standard 0.5-mL insemination straws. One end of sterile insemination straw is previously sealed using a hand-held sealer. The open end is hermetically closed by a metal ball and this container (OPS and sterile insemination straw) is plunged into liquid nitrogen ("straw in straw" vitrification). The *Isachenko Method*, applied to biopsied mouse pronuclear embryos is resulted efficient as conventional vitrification, guaranteeing a complete isolation of embryos from liquid nitrogen and avoiding potential contamination by pathogenic microorganisms.

### 3.3 Innovative vitrification devices

A new solution to increase the cooling rate reducing the use of cryoprotectants consists in the physical reduction of liquid nitrogen temperature, as happens in the **Vit-Master**, a new device developed at IMT, Israel. In order to avoid the vaporization of N<sub>2</sub>, the temperature of liquid nitrogen is reduced until -210° (boiling point of nitrogen), applying a negative pressure (Arav et al., 2002). The evaporative cooling causes the nitrogen to partially solidify, thus creating a nitrogen slush. Samples immersed in nitrogen slush cool more rapidly because they come into contact with liquid nitrogen sooner than those immersed in normal liquid nitrogen (Cai et al., 2005). The *Vit Master* vitrification machine can provide a very high cooling rate (up to 135,000° /min). The cooling rate is especially enhanced in the first stage of cooling (from 20 to -10°), when it is six, four or two times higher with 0.25-ml straws, open pulled straws (OPS) or electron-microscope (EM) grids, respectively. Between -10 and -150°, the cooling rate is only about doubled by use of the *Vit Master*, but that was found to be enough to reduce the chances of devitrification and recrystallization during warming.

Research about using a **Pulse Tube** for Vitrification is ongoing at "Sapienza" - University of Rome.

## 4. Ultra-rapid freezing

Ultra-rapid freezing can be considered a midway technique between slow freezing and Vitrification. It is quicker than the slow-freezing technique, does not involve the use of programmable machines and requires lower concentrations of cryoprotectant agents (CPA) than those used in vitrification.

Experimental results demonstrate that this technique has lower performances than slow freezing's and vitrification's ones (AbdelHafez et al., 2010).

## 5. Comparison between vitrification and slow freezing

Vitrification is an attractive freezing technique: supports required are cost effective and experimental data show an high survival rate after thawing. For example, a survival rate of 99% was quoted in (KITAZATO BioPharma Co., Ltd. - <http://www.kitazato-biopharma.com/>, n.d.) using a *Cryotop* support.

However, vitrification exposes cells to a high risk of contamination, since cells are generally plunged directly into liquid-nitrogen. Risk of contamination is reported in (Bielanski et al., 2000), where cells frozen using vitrification were exposed to the bovine immunodeficiency

virus (BIV), that can be considered a model for retrovirus like the human immunodeficiency virus (HIV). Risk of Hepatitis B contamination is analyzed in (Tedder et al., 1995).

Moreover, vitrification requires a greater amount of CPA (CryoProtectant Agent) than Slow Freezing does, increasing the toxicity of the environment.

In order to reduce the risk of contamination, *closed supports* for vitrification were developed (*Cryotip* and *Isachenko Method*). However, a lower survival rate is obtained than using an *open support*.

A lower survival rate after thawing using Slow Freezing instead of Vitrification was claimed by many authors. (Fadini et al., 2009) reports a survival rate of human oocytes of 78.9% using Vitrification, while it is reduced to 57.9 % using Slow Freezing (*p-value* lower than 0.0001); similar results are shown in (Vutyavanich et al., 2010) (where survival rate of human spermatozoa is measured equal to 64.8% using Vitrification and equal to 50.4% using Slow Freezing, *p-value* equal to 0.0036). However, many authors believe that a better understanding of slow freezing principles will improve its performances (Bianchi et al., 2007; De Santis et al., 2007; Edgar, 2009; Fadini et al., 2009; Mcgrath, 2009).

Both Vitrification and Programmable Freezers (the most common machines use for Slow Freezing) require a supply of liquid-nitrogen, that is a limiting factor in many situations of inefficient or absent nitrogen distribution network, such as small industries, isolated places and during transport of cells. In order to overcome to this limitation, two alternative systems for Slow Freezing (*Asymptote EF600* and *Pulse Tube Cryocooler*) have been developed.

Stirling Engine<sup>7</sup> and Pulse Tube Cryocooler are closed-cycle machines, reducing risk of contamination and toxicity. A cells freezing system based upon closed-cycle machines is a viable commercial solution, especially for those markets where liquid nitrogen supply is difficult or excessively expensive, or during transport.

However, Stirling Engine exhibits high vibration, thus the nucleation process can not be inducted manually. Moreover, vibrations might damage cells. Those problems are avoided using a Pulse Tube cryocooler.

The application of a Pulse Tube Cryocooler for cells cryopreservation is under developing at "Sapienza" - University of Rome Laboratory of Mechanical Engineering. A validation of the proposed system with the assessment of cells survival rate after thawing is envisaged as next step. Future work will also focus on the development of a cost effective control system which allows the operator to set a desired cooling rate.

## 6. Acknowledgment

We would really like to thank *MES - Microconsulting Energia & Software S.c.a.r.l.* and *LABOR S.r.l.* for their contribution to the realization of this work.

## 7. References

- AbdelHafez, F. F., Desai, N., Abou-Setta, A. M., Falcone, T. & Goldfarb, J. (2010). Slow freezing, vitrification and ultra-rapid freezing of human embryos: a systematic review and meta-analysis., *Reproductive biomedicine online* 20(2): 209–22.  
URL: <http://www.ncbi.nlm.nih.gov/pubmed/20113959>

<sup>7</sup> The Stirling Engine is used in the Asymptote EF600

- Angle, M. (2007). Survival and re-expansion of mouse blastocysts following vitrification in two fda-approved closed devices with and without assisted shrinkage, *Fertility and Sterility* 88(September): S90–S91.  
URL: [http://www.fertstert.org/article/S0015-0282\(07\)01955-3/abstract](http://www.fertstert.org/article/S0015-0282(07)01955-3/abstract)
- Arav, A., Yavi, S., Zeron, Y., Natan, D., Dekel, I. & Gacitua, H. (2002). New trends in gamete's cryopreservation, *Molecular and Cellular Endocrinology* 187(1-2): 77–81.  
URL: <http://linkinghub.elsevier.com/retrieve/pii/S0303720701007006>
- Asymptote Ltd - <http://www.asymptote.co.uk/> (n.d.).
- Bianchi, V., Coticchio, G., Distratis, V., Di Giusto, N., Flamigni, C. & Borini, a. (2007). Differential sucrose concentration during dehydration (0.2 mol/l) and rehydration (0.3 mol/l) increases the implantation rate of frozen human oocytes, *Reproductive BioMedicine Online* 14(1): 64–71.  
URL: <http://linkinghub.elsevier.com/retrieve/pii/S1472648310607651>
- Bielanski, A., Nadin-Davis, S., Sapp, T. & Lutze-Wallace, C. (2000). Viral contamination of embryos cryopreserved in liquid nitrogen., *Cryobiology* 40(2): 110–6.  
URL: <http://www.ncbi.nlm.nih.gov/pubmed/10788310>
- Blayney, M. (2005). *Cryopreservation of embryos and spermatozoa*, Taylor & Francis, chapter 17, p. 322.
- Cai, X. Y., Chen, G. a., Lian, Y., Zheng, X. Y. & Peng, H. M. (2005). Cryoloop vitrification of rabbit oocytes., *Human reproduction (Oxford, England)* 20(7): 1969–74.  
URL: <http://www.ncbi.nlm.nih.gov/pubmed/15932910>
- Canemco and Marivac - <http://www.canemco.com/> (n.d.).
- Chen, S.-U., Chien, C.-L., Wu, M.-Y., Chen, T.-H., Lai, S.-M., Lin, C.-W. & Yang, Y.-S. (2006). Novel direct cover vitrification for cryopreservation of ovarian tissues increases follicle viability and pregnancy capability in mice., *Human reproduction (Oxford, England)* 21(11): 2794–800.  
URL: <http://www.ncbi.nlm.nih.gov/pubmed/16982660>
- Chen, S. U., Lien, Y. R., Chen, H. F., Chao, K. H., Ho, H. N. & Yang, Y. S. (2000). Open pulled straws for vitrification of mature mouse oocytes preserve patterns of meiotic spindles and chromosomes better than conventional straws., *Human reproduction (Oxford, England)* 15(12): 2598–603.  
URL: <http://www.ncbi.nlm.nih.gov/pubmed/11098033>
- Chen, S. U., Lien, Y. R., Cheng, Y. Y., Chen, H. F., Ho, H. N. & Yang, Y. S. (2001). Vitrification of mouse oocytes using closed pulled straws (CPS) achieves a high survival and preserves good patterns of meiotic spindles, compared with conventional straws, open pulled straws (OPS) and grids., *Human reproduction (Oxford, England)* 16(11): 2350–6.  
URL: <http://www.ncbi.nlm.nih.gov/pubmed/11679519>
- Chen, S.-U. & Yang, Y.-S. (2009). Slow freezing or vitrification of oocytes: their effects on survival and meiotic spindles, and the time schedule for clinical practice., *Taiwanese journal of obstetrics & gynecology* 48(1): 15–22.  
URL: <http://www.ncbi.nlm.nih.gov/pubmed/19346187>
- Chian, R., Son, W., Huang, J., Cui, S., Buckett, W. & Tan, S. (2005). High survival rates and pregnancies of human oocytes following vitrification: preliminary report, *Fertility and Sterility* 84(September): S36–S36.  
URL: [http://www.fertstert.org/article/S0015-0282\(05\)01544-X/abstract](http://www.fertstert.org/article/S0015-0282(05)01544-X/abstract)
- Cipri, K., Lopez, E. & Naso, V. (2010). Investigation of the use of Pulse Tube in cell cryopreservation systems, *Cryobiology* 61(2): 225–30.  
URL: <http://www.ncbi.nlm.nih.gov/pubmed/20691677>
- CryoLogic - <http://www.cryologic.com/> (n.d.).

- De Santis, L., Cino, I., Rabellotti, E., Papaleo, E., Calzi, F., Fusi, F., Brigante, C. & Ferrari, a. (2007). Oocyte cryopreservation: clinical outcome of slow-cooling protocols differing in sucrose concentration, *Reproductive BioMedicine Online* 14(1): 57–63.  
URL: <http://linkinghub.elsevier.com/retrieve/pii/S147264831060764X>
- De Santis, L. & Coticchio, G. (2011). Theoretical and experimental basis of slow freezing., *Reproductive BioMedicine Online* 22(2): 125–32.  
URL: <http://www.ncbi.nlm.nih.gov/pubmed/21237713>
- Dinnyés, a., Dai, Y., Jiang, S. & Yang, X. (2000). High developmental rates of vitrified bovine oocytes following parthenogenetic activation, in vitro fertilization, and somatic cell nuclear transfer., *Biology of reproduction* 63(2): 513–8.  
URL: <http://www.ncbi.nlm.nih.gov/pubmed/10906058>
- Edgar, D. (2009). Increasing dehydration of human cleavage-stage embryos prior to slow cooling significantly increases cryosurvival, *Reproductive BioMedicine Online* 19(4): 521–525.  
URL: <http://linkinghub.elsevier.com/retrieve/pii/S1472648309000169>
- Fadini, R., Brambillasca, F., Renzini, M. M., Merola, M., Comi, R., De Ponti, E. & Dal Canto, M. (2009). Human oocyte cryopreservation: comparison between slow and ultrarapid methods, *Reproductive BioMedicine Online* 19(2): 171–180.  
URL: <http://linkinghub.elsevier.com/retrieve/pii/S1472648310600697>
- Faszer, K., Draper, D., Green, J. E., Morris, G. J. & Grout, B. W. W. (2006). Cryopreservation of horse semen under laboratory and field conditions using a Stirling Cycle freezer., *Cryo letters* 27(3): 179–86.  
URL: <http://www.ncbi.nlm.nih.gov/pubmed/16892166>
- Fisher Scientific Italia - <http://www.it.fishersci.com/> (n.d.).
- Grant Instruments (Cambridge) Ltd - <http://www.grant.co.uk/> (n.d.).
- Grossman, G., Bradley, P. E., Lewis, M. a. & Radebaugh, R. (2011). Model for transient behavior of pulse tube cryocooler, *Cryogenics* 51(3): 124–131.  
URL: <http://linkinghub.elsevier.com/retrieve/pii/S0011227510002560>
- Ha, S. Y., Jee, B. C., Suh, C. S., Kim, H. S., Oh, S. K., Kim, S. H. & Moon, S. Y. (2005). Cryopreservation of human embryonic stem cells without the use of a programmable freezer., *Human reproduction* 20(7): 1779–85.  
URL: <http://www.ncbi.nlm.nih.gov/pubmed/15760949>
- Hampton Research - <http://hamptonresearch.com/> (n.d.).
- Hu, J., Dai, W., Luo, E., Wang, X. & Huang, Y. (2010). Development of high efficiency Stirling-type pulse tube cryocoolers, *Cryogenics* 50(9): 603–607.  
URL: <http://linkinghub.elsevier.com/retrieve/pii/S0011227510000548>
- Hughes, W., McNelis, M., Goodnight, T. & Center, N. G. R. (2000). Vibration Testing of an Operating Stirling Convertor, *Seventh International Congress on Sound and Vibration*, number November, National Aeronautics and Space Administration, Glenn Research Center.  
URL: <http://gltrs.grc.nasa.gov/reports/2000/TM-2000-210526.pdf>
- Ikushima, Y., Li, R., Tomaru, T., Sato, N., Suzuki, T., Haruyama, T., Shintomi, T. & Yamamoto, A. (2008). Ultra-low-vibration pulse-tube cryocooler system – cooling capacity and vibration, *Cryogenics* 48(9-10): 406–412.  
URL: <http://linkinghub.elsevier.com/retrieve/pii/S0011227508000490>
- Imura, J., Shinoki, S., Sato, T., Iwata, N., Yamamoto, H., Yasohama, K., Ohashi, Y., Nomachi, H., Okumura, N., Nagaya, S., Tamada, T. & Hirano, N. (2007). Development of high capacity Stirling type pulse tube cryocooler, *Physica C: Superconductivity* 463-465: 1369–1371.  
URL: <http://linkinghub.elsevier.com/retrieve/pii/S0921453407010404>

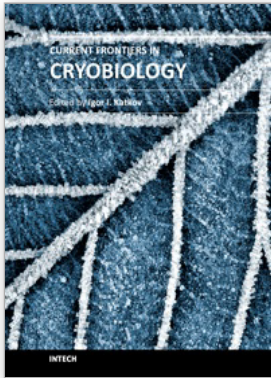


- Irvine Scientific - <http://www.irvinesci.com/> (n.d.).
- Isachenko, V., Montag, M., Isachenko, E. & van der Ven, H. (2005). Vitrification of mouse pronuclear embryos after polar body biopsy without direct contact with liquid nitrogen., *Fertility and sterility* 84(4): 1011–6.  
URL: <http://www.ncbi.nlm.nih.gov/pubmed/16213857>
- KITAZATO BioPharma Co., Ltd. - <http://www.kitazato-biopharma.com/> (n.d.).
- Koh, D. Y., Hong, Y. J., Park, S. J., Kim, H. B. & Lee, K. S. (2002). A study on the linear compressor characteristics of the Stirling cryocooler, *Cryogenics* 42(6-7): 427–432.  
URL: <http://linkinghub.elsevier.com/retrieve/pii/S0011227502000644>
- Kongtragool, B. & Wongwiset, S. (2003). A review of solar-powered Stirling engines and low temperature differential Stirling engines, *Renewable and Sustainable Energy Reviews* 7(2): 131–154.  
URL: <http://linkinghub.elsevier.com/retrieve/pii/S1364032102000539>
- Kongtragool, B. & Wongwiset, S. (2007). Performance of low-temperature differential Stirling engines, *Renewable Energy* 32(4): 547–566.  
URL: <http://linkinghub.elsevier.com/retrieve/pii/S0960148106000772>
- Kuleshova, L. L. & Lopata, A. (2002). Vitrification can be more favorable than slow cooling., *Fertility and sterility* 78(3): 449–54.  
URL: <http://www.ncbi.nlm.nih.gov/pubmed/12215314>
- Kuleshova, L. L. & Shaw, J. M. (2000). A strategy for rapid cooling of mouse embryos within a double straw to eliminate the risk of contamination during storage in liquid nitrogen., *Human reproduction (Oxford, England)* 15(12): 2604–9.  
URL: <http://www.ncbi.nlm.nih.gov/pubmed/11098034>
- Kuwayama, M. (2007). Highly efficient vitrification for cryopreservation of human oocytes and embryos: the Cryotop method., *Theriogenology* 67(1): 73–80.  
URL: <http://www.ncbi.nlm.nih.gov/pubmed/17055564>
- Kuwayama, M., Vajta, G., Ieda, S. & Kato, O. (2005). Comparison of open and closed methods for vitrification of human embryos and the elimination of potential contamination, *Reproductive BioMedicine Online* 11(5): 608–614.  
URL: <http://linkinghub.elsevier.com/retrieve/pii/S1472648310611698>
- Kuwayama, M., Vajta, G., Kato, O. & Leibo, S. P. (2005). Highly efficient vitrification method for cryopreservation of human oocytes, *Reproductive BioMedicine Online* 11(3): 300–308.  
URL: <http://linkinghub.elsevier.com/retrieve/pii/S1472648310608371>
- Lane, M., Schoolcraft, W. B. & Gardner, D. K. (1999). Vitrification of mouse and human blastocysts using a novel cryoloop container-less technique., *Fertility and sterility* 72(6): 1073–8.  
URL: <http://www.ncbi.nlm.nih.gov/pubmed/10593384>
- Liebermann, J. (2002). Potential Importance of Vitrification in Reproductive Medicine, *Biology of Reproduction* 67(6): 1671–1680.  
URL: <http://www.biolreprod.org/cgi/doi/10.1095/biolreprod.102.006833>
- Liebermann, J. & Tucker, M. J. (2002). Effect of carrier system on the yield of human oocytes and embryos as assessed by survival and developmental potential after vitrification., *Reproduction (Cambridge, England)* 124(4): 483–9.  
URL: <http://www.ncbi.nlm.nih.gov/pubmed/12361466>
- Lomber, S. G., Payne, B. R. & Horel, J. a. (1999). The cryoloop: an adaptable reversible cooling deactivation method for behavioral or electrophysiological assessment of neural function., *Journal of neuroscience methods* 86(2): 179–94.  
URL: <http://www.ncbi.nlm.nih.gov/pubmed/10065985>

- Lucena, E., Bernal, D. P., Lucena, C., Rojas, A., Moran, A. & Lucena, A. (2006). Successful ongoing pregnancies after vitrification of oocytes., *Fertility and sterility* 85(1): 108–11.  
URL: <http://www.ncbi.nlm.nih.gov/pubmed/16412739>
- Martino, a., Songsasen, N. & Leibo, S. P. (1996). Development into blastocysts of bovine oocytes cryopreserved by ultra-rapid cooling., *Biology of reproduction* 54(5): 1059–69.  
URL: <http://www.ncbi.nlm.nih.gov/pubmed/8722627>
- Matson, P., Kappelle, W. & Webb, S. (2008). Maximum rates of cooling by three programmable freezers, and the potential relevance to sperm cryopreservation., *Reproductive biology* 8(1): 69–73.  
URL: <http://www.ncbi.nlm.nih.gov/pubmed/18432308>
- Matsumoto, H., Jiang, J. Y., Tanaka, T., Sasada, H. & Sato, E. (2001). Vitrification of large quantities of immature bovine oocytes using nylon mesh., *Cryobiology* 42(2): 139–44.  
URL: <http://www.ncbi.nlm.nih.gov/pubmed/11448116>
- Mcgrath, J. (2009). *Predictive Models for the Development of Improved Cryopreservation Protocols for Human Oocytes*, number 7, Informa Helatcare, pp. 62–82.
- Morris, G., Acton, E., Faszler, K., Franklin, A., Yin, H., Bodine, R., Pareja, J., Zaninovic, N. & Gosden, R. (2006). Cryopreservation of murine embryos, human spermatozoa and embryonic stem cells using a liquid nitrogen-free, controlled rate freezer, *Reproductive BioMedicine Online* 13(3): 421–426.  
URL: <http://linkinghub.elsevier.com/retrieve/pii/S1472648310614484>
- Mukaida, T. (2003). Vitrification of human blastocysts using cryoloops: clinical outcome of 223 cycles, *Human Reproduction* 18(2): 384–391.  
URL: <http://www.humrep.oupjournals.org/cgi/doi/10.1093/humrep/deg047>
- Mukaida, T., Wada, S., Takahashi, K., Pedro, P. B., An, T. Z. & Kasai, M. (1998). Vitrification of human embryos based on the assessment of suitable conditions for 8-cell mouse embryos., *Human reproduction (Oxford, England)* 13(10): 2874–9.  
URL: <http://www.ncbi.nlm.nih.gov/pubmed/9804248>
- Nottola, S., Coticchio, G., Sciajno, R., Gambardella, a., Maione, M., Scaravelli, G., Bianchi, S., Macchiarelli, G. & Borini, a. (2009). Ultrastructural markers of quality in human mature oocytes vitrified using cryoleaf and cryoloop, *Reproductive BioMedicine Online* 19(October): 17–27.  
URL: <http://linkinghub.elsevier.com/retrieve/pii/S1472648310602805>
- Nowshari, M. a. & Brem, G. (2001). Effect of freezing rate and exposure time to cryoprotectant on the development of mouse pronuclear stage embryos., *Human reproduction (Oxford, England)* 16(11): 2368–73.  
URL: <http://www.ncbi.nlm.nih.gov/pubmed/11679522>
- Oberstein, N., O'Donovan, M. K., Bruemmer, J. E., Seidel, G. E. J., Camevale, E. M. & Squires, E. S. (2001). Cryopreservation of Equine Embryos by Open Pulled Straw, Cryoloop, or Conventional Slow Cooling Methods, *Theriogenology* 55: 607–613.  
URL: <http://www.ncbi.nlm.nih.gov/pubmed/21235366>
- Orief, Y., Schultze-mosgau, A., Dafopoulos, K. & Al-hasani, S. (2005). Vitrification : will it replace the conventional gamete cryopreservation techniques ?, *Middle East Fertility Society Journal* 10(3): 171–184.
- ORIGIO - <http://www.origio.com/> (n.d.).
- Papis, K., Shimizu, M. & Izaike, Y. (2000). Factors affecting the survivability of bovine oocytes vitrified in droplets, *Theriogenology* 54(5): 651–658.  
URL: <http://linkinghub.elsevier.com/retrieve/pii/S0093691X00003800>
- Pegg, D. E. (2005). The role of vitrification techniques of cryopreservation in reproductive medicine, *Human Fertility* 8: 231–239.
- Planer Controlled Rate Freezer - <http://www.planer.co.uk/> (n.d.).

- Popescu, G., Radcenco, V., Gargalian, E. & Ramany Bala, P. (2001). A critical review of pulse tube cryogenerator, *International Journal of Refrigeration* 24: 230–237.
- Reubinoff, B. E., Pera, M. F., Vajta, G. & Trounson, a. O. (2001). Effective cryopreservation of human embryonic stem cells by the open pulled straw vitrification method., *Human reproduction (Oxford, England)* 16(10): 2187–94.  
URL: <http://www.ncbi.nlm.nih.gov/pubmed/11574514>
- Rezazadeh Valojerdi, M., Eftekhari-Yazdi, P., Karimian, L., Hassani, F. & Movaghar, B. (2009). Vitrification versus slow freezing gives excellent survival, post warming embryo morphology and pregnancy outcomes for human cleaved embryos., *Journal of assisted reproduction and genetics* 26(6): 347–54.  
URL: <http://www.pubmedcentral.nih.gov/articlerender.fcgi?artid=2729856&tool=pmcentrez&rendertype=abstract>
- Riabzev, S., Veprik, A., Vilenchik, H. & Pundak, N. (2009). Vibration generation in a pulse tube refrigerator, *Cryogenics* 49(1): 1–6.  
URL: <http://linkinghub.elsevier.com/retrieve/pii/S001122750800115X>
- Rosendahl, M., Schmidt, K. T., Ernst, E., Rasmussen, P. E., Loft, A., Byskov, A. G., Andersen, A. N. & Andersen, C. Y. (2011). Cryopreservation of ovarian tissue for a decade in Denmark: a view of the technique., *Reproductive biomedicine online* 22(2): 162–71.  
URL: <http://www.ncbi.nlm.nih.gov/pubmed/21239230>
- Roth, T. L., Bush, L. M., Wildt, D. E. & Weiss, R. B. (1999). Scimitar-horned oryx (*Oryx dammah*) spermatozoa are functionally competent in a heterologous bovine in vitro fertilization system after cryopreservation on dry ice, in a dry shipper, or over liquid nitrogen vapor., *Biology of reproduction* 60(2): 493–8.  
URL: <http://www.ncbi.nlm.nih.gov/pubmed/9916019>
- Scollo, L., Valdez, P. & Baron, J. (2008). Design and construction of a Stirling engine prototype, *International Journal of Hydrogen Energy* 33(13): 3506–3510.  
URL: <http://linkinghub.elsevier.com/retrieve/pii/S0360319908000098>
- Sheehan, C. B., Lane, M. & Gardner, D. K. (2006). The CryoLoop facilitates re-vitrification of embryos at four successive stages of development without impairing embryo growth., *Human reproduction (Oxford, England)* 21(11): 2978–84.  
URL: <http://www.ncbi.nlm.nih.gov/pubmed/16950825>
- Smith, G. D., Serafini, P. C., Fioravanti, J., Yadid, I., Coslovsky, M., Hassun, P., Alegretti, J. R. & Motta, E. L. (2010). Prospective randomized comparison of human oocyte cryopreservation with slow-rate freezing or vitrification., *Fertility and sterility* 94(6): 2088–95.  
URL: <http://www.ncbi.nlm.nih.gov/pubmed/20171613>
- Stanic, P., Tandara, M., Sonicki, Z., Simunic, V., Radakovic, B. & Suchanek, E. (2000). Comparison of protective media and freezing techniques for cryopreservation of human semen., *European journal of obstetrics, gynecology, and reproductive biology* 91(1): 65–70.  
URL: <http://www.ncbi.nlm.nih.gov/pubmed/10817881>
- Stănescu Pascal, M. & Birțoiu, A. I. (2010). Comparative Studies of Canine Semen Freezing Protocols, *Veterinary Medicine* 67(2): 209–215.
- Suárez, V. J., Goodnight, T. W. & Hughes, W. O. (2003). Vibration Modal Characterization of a Stirling Converter via Base-Shake Excitation, *the Proceedings of the International Energy Conversion Engineering Conference, Portsmouth, Virginia*, number November.  
URL: <http://gltrs.grc.nasa.gov/reports/2003/TM-2003-212479.pdf>
- Suzuki, T., Tomaru, T., Haruyama, T., Sato, N., Yamamoto, A., Shintomi, T., Ikushima, Y. & Li, R. (2006). Pulse tube cryocooler with self-cancellation of cold stage vibration, *Cryo*

- Prague 2006.  
URL: <http://arxiv.org/abs/physics/0611031>
- Tedder, R., Zuckerman, M., Brink, N., Goldstone, A., Fielding, A., Blair, S., Patterson, K., Hawkins, A., Gormon, A., Heptonstall, J. & Others (1995). Hepatitis tank B transmission from contaminated cryopreservation, *The Lancet* 346(8968): 137–140.  
URL: <http://linkinghub.elsevier.com/retrieve/pii/S014067369591207X>
- Vajta, G. & Kuwayama, M. (2006). Improving cryopreservation systems., *Theriogenology* 65(1): 236–44.  
URL: <http://www.ncbi.nlm.nih.gov/pubmed/16289262>
- Valbuena, D., Sánchez-Luengo, S., Galán, A., Sánchez, E., Gómez, E., Poo, M. E., Ruiz, V., Genbacev, O., Krtolica, A. & Pellicer, A. (2008). Efficient method for slow cryopreservation of human embryonic stem cells in xeno-free conditions, *Reproductive BioMedicine Online* 17(1): 127–135.  
URL: <http://linkinghub.elsevier.com/retrieve/pii/S1472648310603021>
- van den Abbeel, E., van der Elst, J., van der Linden, M. & van Steirteghem, a. C. (1997). High survival rate of one-cell mouse embryos cooled rapidly to -196 degrees C after exposure to a propylene glycol-dimethylsulfoxide-sucrose solution., *Cryobiology* 34(1): 1–12.  
URL: <http://www.ncbi.nlm.nih.gov/pubmed/9028912>
- Varghese, A. C., Nagy, Z. P. & Agarwal, A. (2009). Current trends, biological foundations and future prospects of oocyte and embryo cryopreservation, *Reproductive BioMedicine Online* 19(1): 126–140.  
URL: <http://linkinghub.elsevier.com/retrieve/pii/S1472648310600569>
- Vutyavanich, T., Piromlertamorn, W. & Nunta, S. (2010). Rapid freezing versus slow programmable freezing of human spermatozoa., *Fertility and sterility* 93(6): 1921–8.  
URL: <http://www.ncbi.nlm.nih.gov/pubmed/19243759>
- Vutyavanich, T., Sreshtaputra, O., Piromlertamorn, W. & Nunta, S. (2009). Closed-system solid surface vitrification versus slow programmable freezing of mouse 2-cell embryos., *Journal of assisted reproduction and genetics* 26(5): 285–90.  
URL: <http://www.pubmedcentral.nih.gov/articlerender.fcgi?artid=2719071&tool=pmcentrez&rendertype=abstract>
- Wang, C. & Hartnett, J. G. (2010). A vibration free cryostat using pulse tube cryocooler, *Cryogenics* 50(5): 336–341.  
URL: <http://linkinghub.elsevier.com/retrieve/pii/S0011227510000044>
- Ware, C. B., Nelson, A. M. & Blau, C. A. (2005). Controlled-rate freezing of human ES cells., *BioTechniques* 38(6): 879–80, 882–3.  
URL: <http://www.ncbi.nlm.nih.gov/pubmed/16018548>
- Wilding, M. G., Capobianco, C., Montanaro, N., Kabili, G., Di Matteo, L., Fusco, E. & Dale, B. (2010). Human cleavage-stage embryo vitrification is comparable to slow-rate cryopreservation in cycles of assisted reproduction., *Journal of assisted reproduction and genetics* 27(9-10): 549–54.  
URL: <http://www.pubmedcentral.nih.gov/articlerender.fcgi?artid=2965340&tool=pmcentrez&rendertype=abstract>
- Yaqi, L., Yaling, H. & Weiwei, W. (2011). Optimization of solar-powered Stirling heat engine with finite-time thermodynamics, *Renewable Energy* 36(1): 421–427.  
URL: <http://linkinghub.elsevier.com/retrieve/pii/S0960148110003101>



## **Current Frontiers in Cryobiology**

Edited by Prof. Igor Katkov

ISBN 978-953-51-0191-8

Hard cover, 574 pages

**Publisher** InTech

**Published online** 09, March, 2012

**Published in print edition** March, 2012

Almost a decade has passed since the last textbook on the science of cryobiology, *Life in the Frozen State*, was published. Recently, there have been some serious tectonic shifts in cryobiology which were perhaps not seen on the surface but will have a profound effect on both the future of cryobiology and the development of new cryopreservation methods. We feel that it is time to revise the previous paradigms and dogmas, discuss the conceptually new cryobiological ideas, and introduce the recently emerged practical protocols for cryopreservation. The present books, "Current Frontiers in Cryobiology" and "Current Frontiers in Cryopreservation" will serve the purpose. This is a global effort by scientists from 27 countries from all continents and we hope it will be interesting to a wide audience.

### **How to reference**

In order to correctly reference this scholarly work, feel free to copy and paste the following:

Edoardo Lopez, Katuscia Cipri and Vincenzo Naso (2012). Technologies for Cryopreservation: Overview and Innovation, *Current Frontiers in Cryobiology*, Prof. Igor Katkov (Ed.), ISBN: 978-953-51-0191-8, InTech, Available from: <http://www.intechopen.com/books/current-frontiers-in-cryobiology/technologies-for-cryopreservation-overview-and-innovation>

**INTECH**  
open science | open minds

### **InTech Europe**

University Campus STeP Ri  
Slavka Krautzeka 83/A  
51000 Rijeka, Croatia  
Phone: +385 (51) 770 447  
Fax: +385 (51) 686 166  
[www.intechopen.com](http://www.intechopen.com)

### **InTech China**

Unit 405, Office Block, Hotel Equatorial Shanghai  
No.65, Yan An Road (West), Shanghai, 200040, China  
中国上海市延安西路65号上海国际贵都大饭店办公楼405单元  
Phone: +86-21-62489820  
Fax: +86-21-62489821

© 2012 The Author(s). Licensee IntechOpen. This is an open access article distributed under the terms of the [Creative Commons Attribution 3.0 License](#), which permits unrestricted use, distribution, and reproduction in any medium, provided the original work is properly cited.